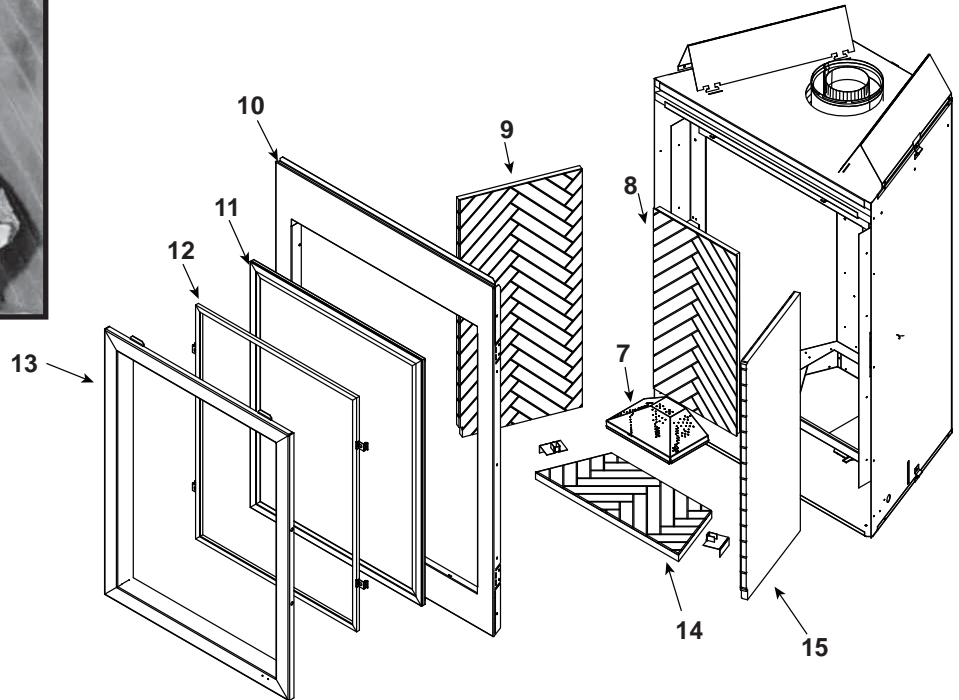
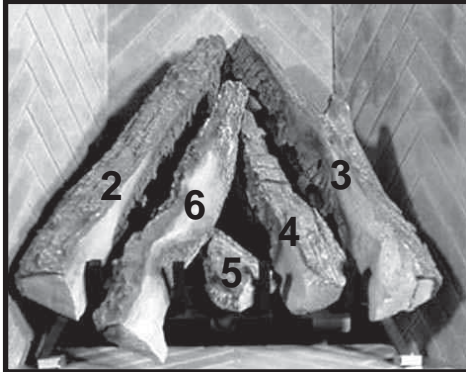


### Log Set Assembly



IMPORTANT: THIS IS DATED INFORMATION. When requesting service or replacement parts for your appliance please provide model number and serial number. All parts listed in this manual may be ordered from an authorized dealer.



**Stocked at Depot**

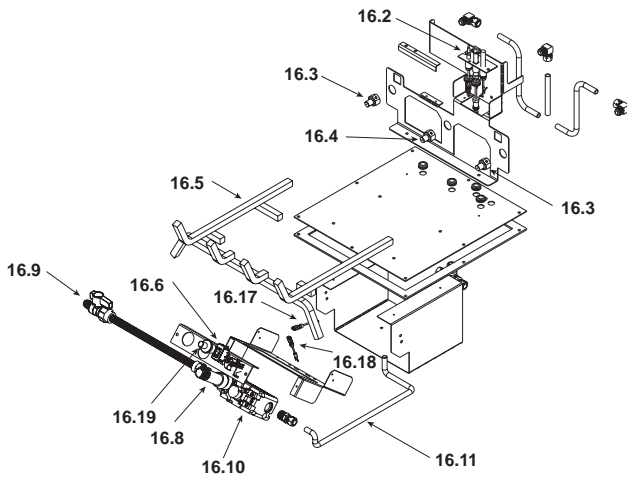
ITEM	DESCRIPTION	COMMENTS	PART NUMBER	Stocked at Depot
	Log Set Assembly		LOGS-EVEREST	Y
1	Log 1 (Back Log Not Shown)		SRV750-703	
2	Log 2		SRV750-701A	
3	Log 3		SRV750-702A	
4	Log 4		SRV750-705	
5	Log 5		SRV750-706	
6	Log 6		SRV750-704	
7	Burner NG, LP		750-175A	Y
8	Refractory, Back		SRV750-732	
9	Refractory, Left Side		SRV750-730	
10	Surround	Pre July 2003	750-130	
		Post July 2003	750-132	
11	Glass Door Assembly		GLA-EVEREST	Y
12	Trim Door Mesh		MESH-EVERESTB	Y
13	Decorative Front		DF-EVEREST	
14	Refractory, Base		SRV750-733	
15	Refractory, Right Side		SRV750-731	

Additional service part numbers appear on following page.

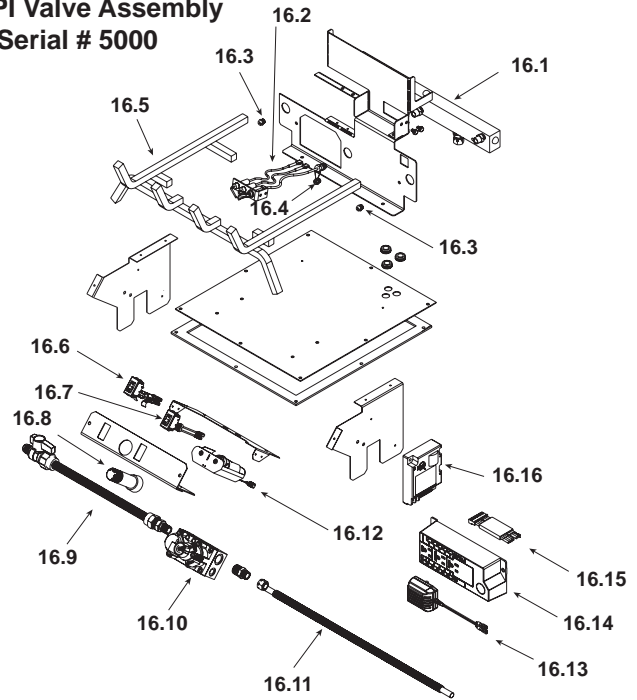
No one builds a better fire

Beginning Manufacturing Date: Aug 2000  
Ending Manufacturing Date: Active

### #16 Standing Pilot Valve Assembly Pre Serial # 5000



### #16 IPI Valve Assembly Post Serial # 5000



**IMPORTANT: THIS IS DATED INFORMATION.** When requesting service or replacement parts for your appliance please provide model number and serial number. All parts listed in this manual may be ordered from an authorized dealer.



**Stocked  
at Depot**

ITEM	DESCRIPTION	(SP) Pre 5000	(IPI) Post 5000	
16.1	Manifold Assembly	N/A	750-310A	Y
16.2	Pilot Assembly NG	485-510A	593-512A	Y
	Pilot Assembly LP	485-511A	593-513A	Y
16.3	Log Orifice NG (#53A)	060-801	582-853	Y
	Log Orifice LP (#64A)	750-800	582-864	Y
16.4	Orifice NG (#45A)	062-801	582-545	Y
	Orifice LP (#56)	045-802	582-856	Y
16.5	Grate Assembly	750-360A	750-360A	
16.6	On/Off Rocker Switch	060-521A	060-521A	Y
16.7	Rocker Switch Assembly	N/A	750-556A	Y
16.8	Flame Control Knob	571-531	571-531	Y
16.9	Flex Ball Valve Assembly	302-320A	302-320A	Y
16.10	Valve NG	060-522	750-500	Y
	Valve LP	060-523	750-501	Y
16.11	Flexible Gas Connector	567-301A	567-301A	Y
16.12	Battery Pack	N/A	593-594A	Y
16.13	3 Volt Transformer	N/A	593-593A	Y
16.14	Junction Box	100-250A	4021-013	Y
16.15	Module Wire Assembly	N/A	593-590A	Y
16.16	Module	N/A	593-592	Y
16.17	Wire Harness	049-552A	N/A	Y
16.18	Wire Harness <b>(No longer available)</b>	049-551A	N/A	
16.19	Piezo Ignitor	291-513	N/A	Y

Additional service part numbers appear on following page.

