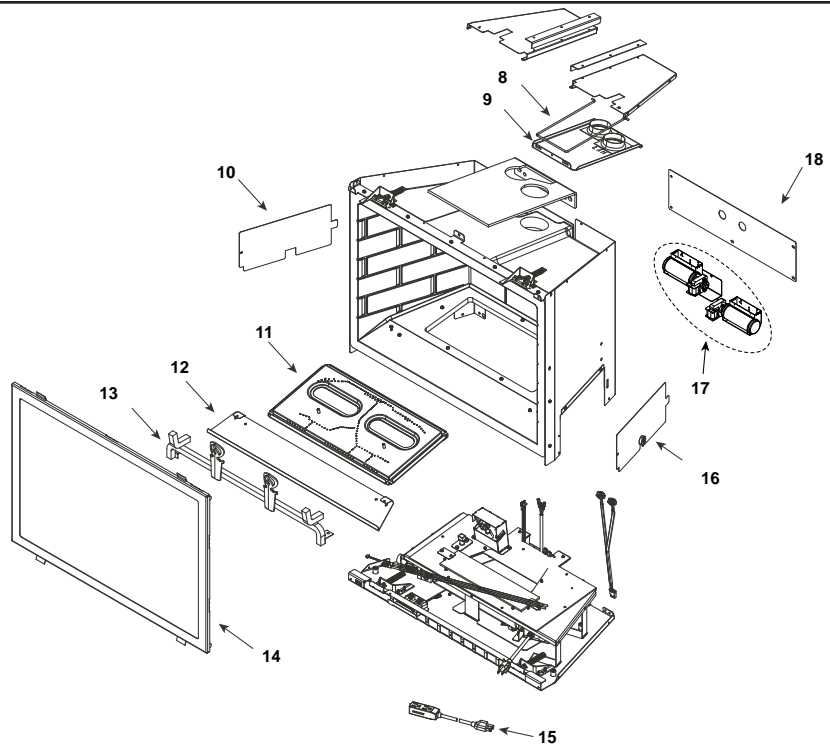
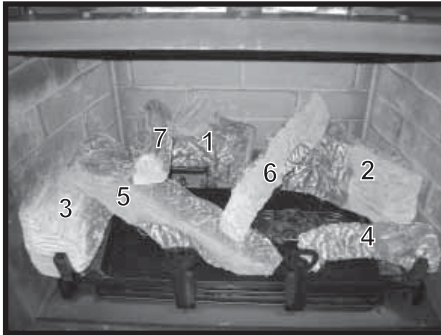


Log Set Assembly



IMPORTANT: THIS IS DATED INFORMATION. When requesting service or replacement parts for your appliance please provide model number and serial number. All parts listed in this manual may be ordered from an authorized dealer.



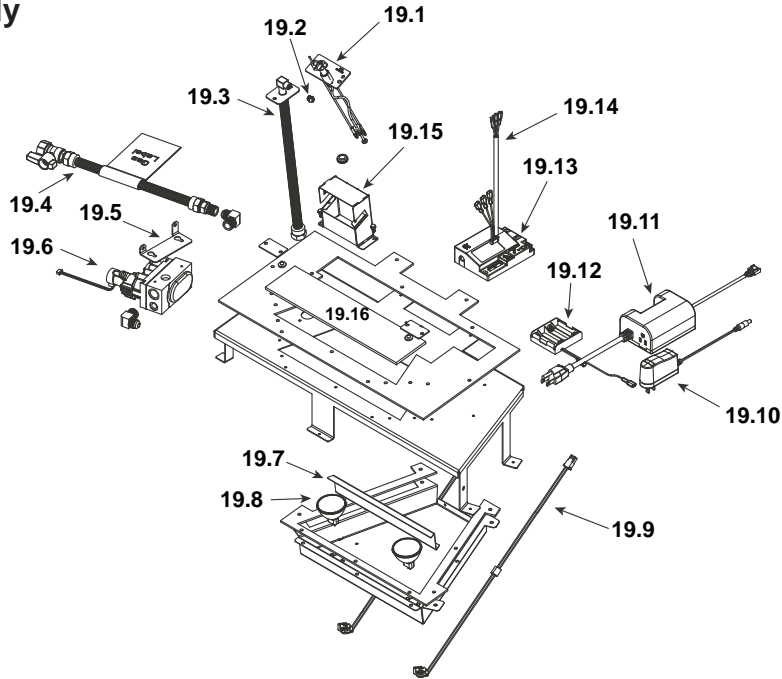
Stocked at Depot

ITEM	DESCRIPTION	COMMENTS	PART NUMBER	
	Log Assembly		LOGS-QFI30FB	Y
1	Log 1		SRV2221-701	
2	Log 2		SRV2221-702	
3	Log 3		SRV2221-703	
4	Log 4		SRV2221-704	
5	Log 5		SRV2221-705	
6	Log 6		SRV2221-706	
7	Log 7		SRV2221-707	
8	Slide Plate Handle		2019-201	
9	Slide Plate Assembly		2201-012	
	Gasket, Termination Plate		2201-401	
10	Cover Plate, Left		2202-113	
11	Burner Assembly		2221-007	Y
12	Media Tray		2201-112	
13	Grate Assembly		2221-016	
14	Glass Door Assembly		GLA-2201	Y
15	Power Cord Assembly		2201-024	Y
16	Cover Plate, Right		2202-114	
17	Blower Assembly		GFK-210-C	
18	Cover Plate, Back		2202-104	

Additional service part numbers on following page.

Beginning Manufacturing Date: July 2010
Ending Manufacturing Date: Aug 2011

#19 Valve Assembly



IMPORTANT: THIS IS DATED INFORMATION. When requesting service or replacement parts for your appliance please provide model number and serial number. All parts listed in this manual may be ordered from an authorized dealer.



**Stocked
at Depot**

ITEM	DESCRIPTION	COMMENTS	PART NUMBER	
19.1	Pilot Assembly NG		2198-014	Y
	Pilot Assembly LP		2198-015	Y
19.2	Burner Orifice NG (#33C)		582-833	Y
	Burner Orifice LP (#50C)		582-850	Y
19.3	Flex Assembly		383-302A	Y
19.4	Flex Ball Valve Assembly		2201-108	Y
19.5	Valve Bracket		2202-108	
19.6	Valve NG		2166-302	Y
	Valve LP		2166-303	Y
19.7	Air Passage Divider		2201-144	
19.8	Ember Bulb	Qty 2 req	2201-150	Y
19.9	Light Wire Assembly		2201-011	Y
19.10	Regulator		2166-305	Y
19.11	Auxilliary Box		2166-335	Y
19.12	Battery Pack**		2166-323	Y
19.13	Module		2166-307	Y
19.14	Wire Assembly		2201-304	Y
19.15	Pilot Bracket		2201-118	
19.16	Ember Glass		2201-115	Y

**Fuse for battery pack can be sourced locally, not a warranty item. Specs are 500mA~10A 3/4" long
Additional service part numbers on following page.

