

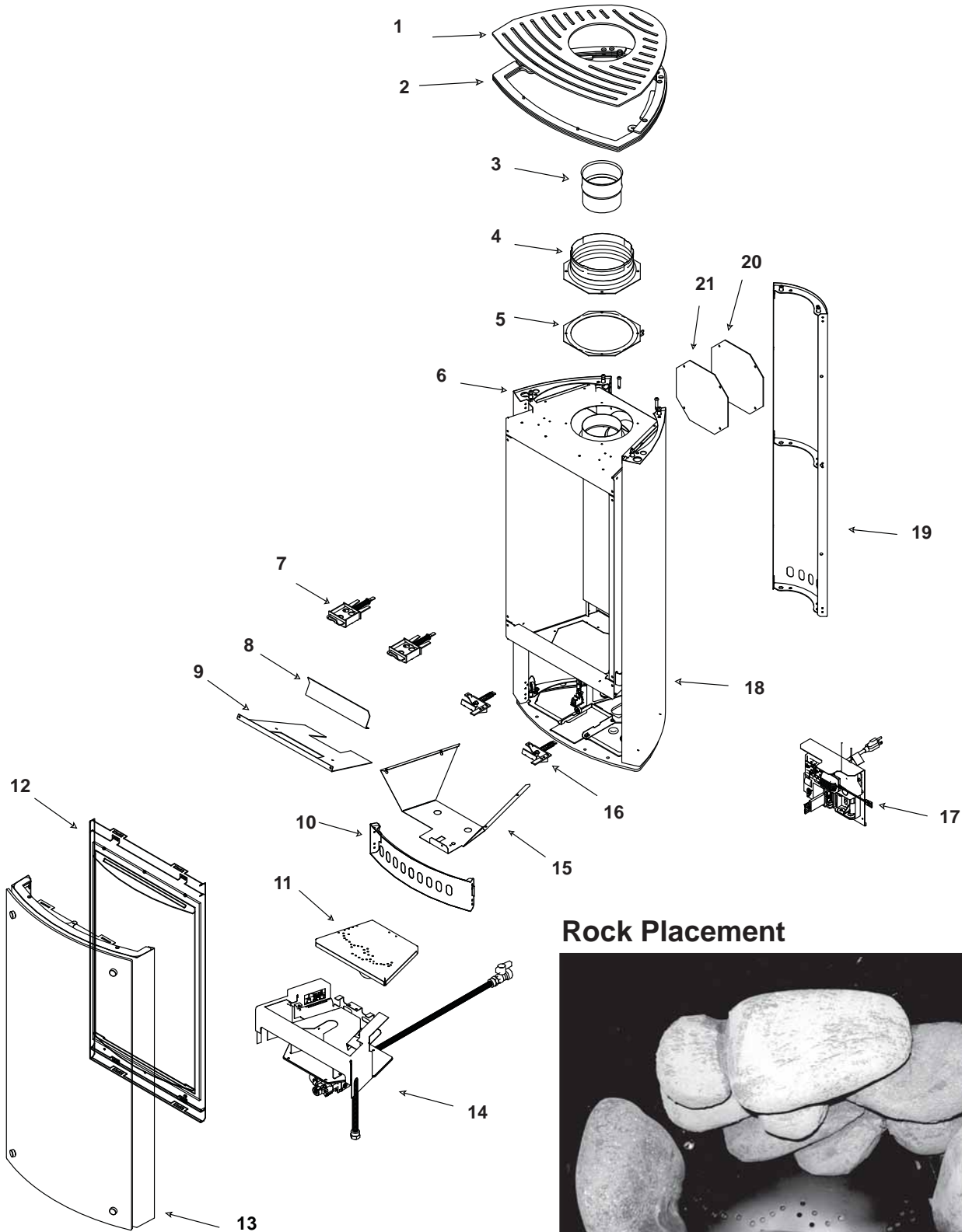
No one builds a better fire

Free Standing Stove

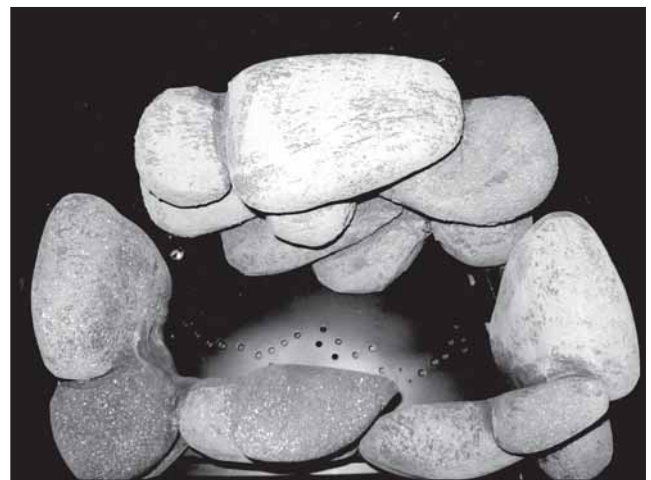
Beginning Manufacturing Date: Aug 2009

Ending Manufacturing Date: Active

Paloma-GY-MOD (Gray), Paloma-GR-MOD (Green), Paloma-BZ-MOD (Bronze))



Rock Placement



Part number list on following page.

No one builds a better fire

Beginning Manufacturing Date: Aug 2009
Ending Manufacturing Date: Active

IMPORTANT: THIS IS DATED INFORMATION. When requesting service or replacement parts for your appliance please provide model number and serial number. All parts listed in this manual may be ordered from an authorized dealer.

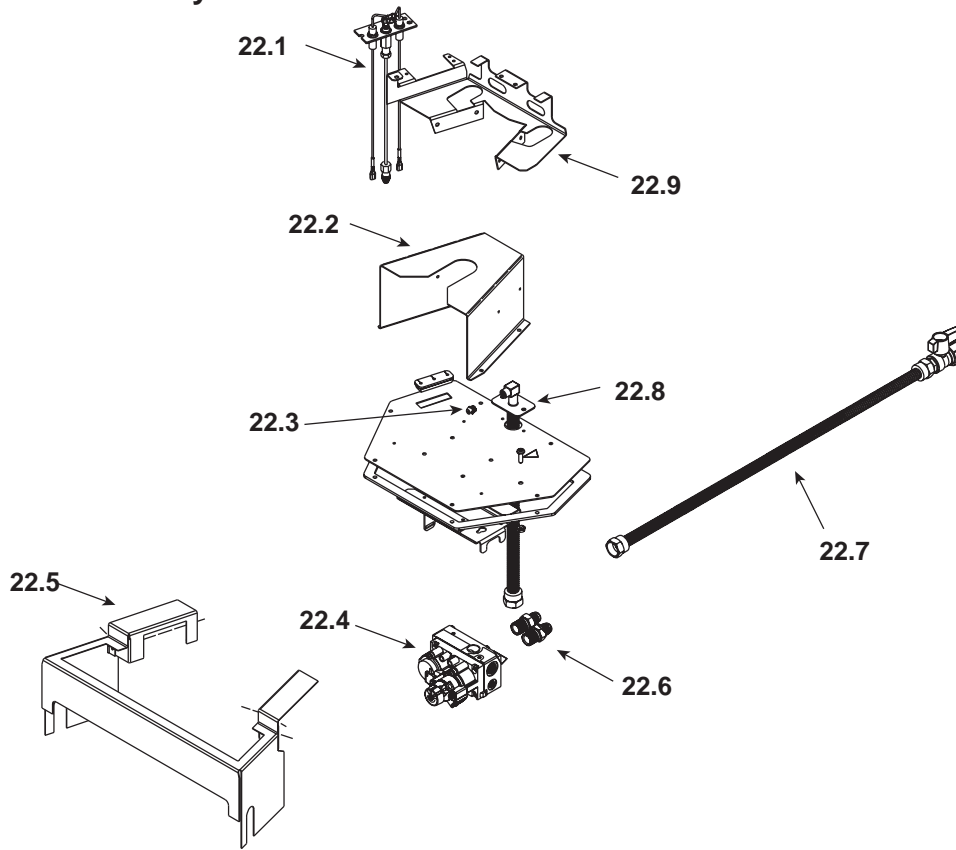


**Stocked
at Depot**

ITEM	DESCRIPTION	COMMENTS	PART NUMBER	
	Rock Assembly		Paloma-Rock	
1	Removable Top Assembly Top Vent		2123-012	
	Removable Top Assembly Rear Vent		2123-025	
2	Top Assembly		7031-013	
3	SLP Stove Adaptor		SLP-SA	
4	Starting Collar Assembly		2189-002	
5	Gasket, Adaptor		2189-109	
6	Side Assembly Left		2123-027	
7	Latch Assembly Upper		7003-006	Y
8	Heat Shield Baffle		2189-106	
9	Heat Shield		2189-105	
10	Access Door Assembly		7031-023	
11	Burner Assembly		2189-005	Y
12	Glass Frame Assembly		2189-004	Y
13	Front Door Assembly	Bronze	2123-028	
		Green	2123-029	
		Gray	2123-016	
	Cap and Barrel Assembly		2123-019	
14	Valve Plate Assembly		2189-003	
15	Air Deflector		2123-185	
16	Latch Assembly Lower	Pkg of 2	33858/2	Y
17	Control Assembly		7031-027	Y
	Control Module		593-592	Y
	Junction Box		4021-013	Y
	Power Cord		832-2410	Y
	Wire Assembly		593-590A	Y
	3V Transformer		593-593A	Y
	Battery Pack		593-594A	Y
18	Side Assembly Right		2123-026	
19	Back Panel Assembly Vertical		7031-021	
	Back Panel Assembly Horizontal		7031-022	
20	Cover Plate		2189-111	
21	Cover Plate Gasket		2189-110	

Additional service part numbers appear on following page.

#22 Bottom Plate Assembly



IMPORTANT: THIS IS DATED INFORMATION. When requesting service or replacement parts for your appliance please provide model number and serial number. All parts listed in this manual may be ordered from an authorized dealer.



Stocked at Depot

ITEM	DESCRIPTION	COMMENTS	PART NUMBER	
22.1	Pilot Assembly NG		2090-012	Y
	Pilot Assembly LP		2090-013	Y
22.2	Burner Support		7031-279	
22.3	Orifice NG (#38C)		582-838	Y
	Orifice LP (#53C)		582-853	Y
22.4	Valve NG		750-500	Y
	Valve LP		750-501	Y
22.5	Burner Shelf		2123-126	
22.6	Male connector	Pkg of 5	303-315/5	Y
22.7	Flex Ball Valve Assembly		2098-034	Y
22.8	Flex 12"		383-302A	Y
22.9	Pilot Bracket		2189-119	

