



**heatilator**<sup>®</sup>  
*The first name in fireplaces*

# Constitution

EPA Phase II Compliant wood-burning fireplace

# Constitution EPA Phase II Compliant wood-burning fireplace

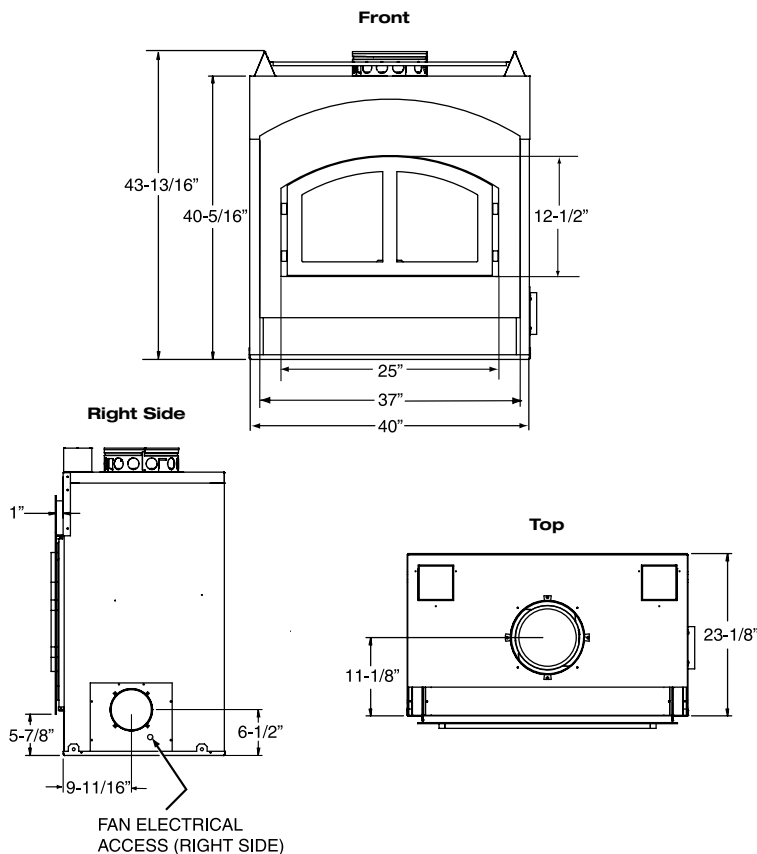
## Beauty, Efficiency and So Much More!

- The Constitution is the answer for anyone desiring a beautiful and efficient wood fire that is environmentally friendly
- Huge roaring fire with mesmerizingly bright, rolling flames will be the room's focal point
- Large 2.7 cubic foot firebox with true brick lining can easily handle 24" logs
- EPA Phase II Compliant means it can be operated in locales with strict air quality regulations or "burn bans"
- High-tech "clean" burn with emission levels of just 3.25 grams per hour of particulate
- Non-catalytic burn requires less maintenance — cleaner glass, no catalyst to burn out
- Incredible heat output of 51,200 Bru's on high setting and up to 11,399 Btu's for up to 10 hours on low setting
- Two 160 CFM fans and a rheostat are included for maximum air flow
- A hearth extension is required
- SL300 Series venting
- Tested and listed to UL safety standards
- Heatilator Warranty

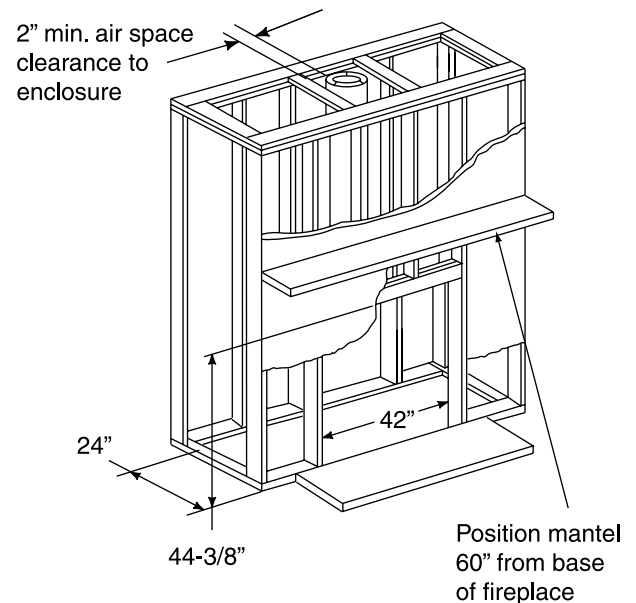


Above & Cover: Constitution shown standard.

## Constitution Dimensions



## Framing Dimensions



## Available From

**heatilator**  
*The first name in fireplaces*

A brand of Hearth & Home Technologies Inc.

1915 W. Saunders Street, Mt. Pleasant, IA 52641

Web: [heatilator.com](http://heatilator.com)

Phone: (800) 927-6841

The information provided in this literature is for planning purposes only and subject to change. Please consult the installation manual for actual installation. Actual product appearance may differ from product images.

\*For full warranty details go to [heatilator.com](http://heatilator.com).

## Limited Lifetime Warranty\*

The strongest in the industry, Heatilator provides a comprehensive warranty on wood-burning products to be free from defects in materials and workmanship.



HTL-1025U-0910