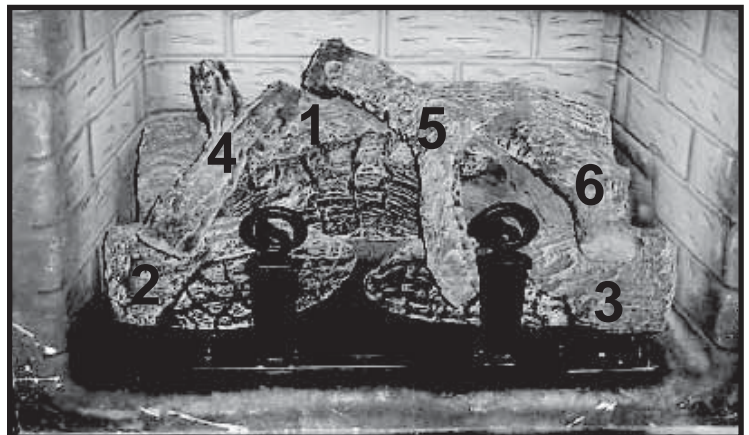


### Log Set Assembly



Part number list on following page.

Beginning Manufacturing Date: Oct 2007  
Ending Manufacturing Date: Sept 2010

IMPORTANT: THIS IS DATED INFORMATION. When requesting service or replacement parts for your appliance please provide model number and serial number. All parts listed in this manual may be ordered from an authorized dealer.

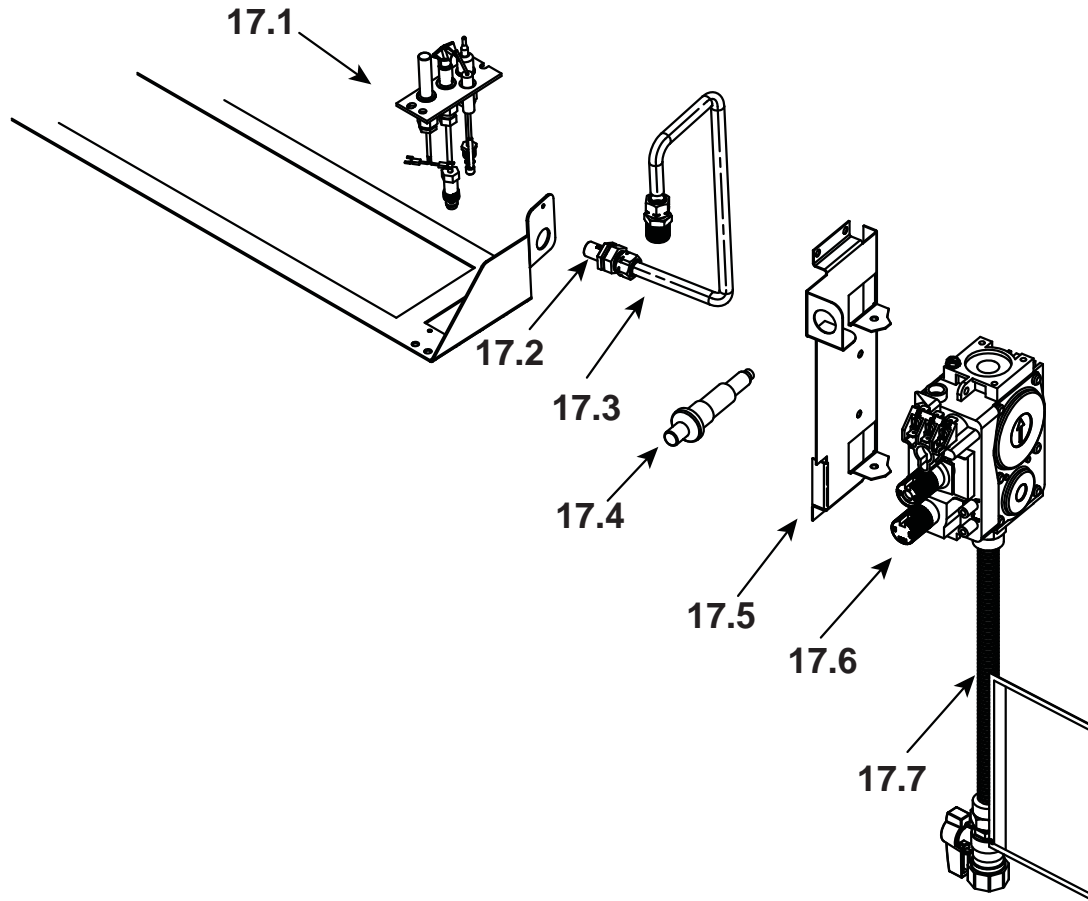


**Stocked  
at Depot**

ITEM	DESCRIPTION	COMMENTS	PART NUMBER	
	Log Set Assembly		LOGS-2031	Y
1	Log 1		SRV2032-701	
2	Log 2		SRV2032-702	
3	Log 3		SRV2032-703	
4	Log 4		SRV340-704	
5	Log 5		SRV340-705	
6	Log 6		SRV740-707	
7	Access Plate: Fan		2019-111	
8	Slide Plate Assembly		2019-096	
	Slide Plate Handle		2019-201	
9	Air Baffle		2019-165	
10	Burner Key		2019-166	
11	Burner NG, LP		2031-003	Y
12	Burner Drop Plate		2019-164	
13	Grate Assembly		2031-020	
14	Glass Door Assembly		GLA-2019	Y
15	Surround Mount, Right		2019-205	
	Surround Mount Left		2019-196	
16	Access Plate		2019-116	
	Blower Assembly	Optional	GFK-160A	
	Decorative Front		DF-I25SP-BK	
	Glass Latch Assembly , Right	QTY 2 Req.	339-121A	Y
	Glass Latch Assembly , Left	QTY 2 Req.	386-122A	Y
	Junction Box		040-250A	Y
	Mineral Wool		050-721	
	Patch Kit		SRV-PACK	
	Vent Pipe Assembly		768-380A	
	Vermiculite Embers		MYSTIC-EMBERS	
	Wiring Assembly		2020-059	Y
	Conversion Kit NG		NGKS-FBZC	Y
	Conversion Kit LP		LPKS-FBZC	Y
	Pilot Orifice NG		2103-116	Y
	Pilot Orifice LP		2103-117	Y
	Regulator NG		230-1570	Y
	Regulator LP		230-1520	Y

Additional service part numbers appear on following page.

### #17 Valve Assembly



**IMPORTANT: THIS IS DATED INFORMATION.** When requesting service or replacement parts for your appliance please provide model number and serial number. All parts listed in this manual may be ordered from an authorized dealer.



**Stocked at Depot**

ITEM	DESCRIPTION	COMMENTS	PART NUMBER	
17.1	Pilot Assembly NG		2103-010	Y
	Pilot Assembly LP		2103-011	Y
	Pilot Tube		SRV485-301	Y
	Thermocouple		2103-511	Y
	Thermopile		2103-512	Y
17.2	Orifice NG (#36B)		567-801	Y
	Orifice LP (#52B)		074-801	Y
17.3	Flexible Gas Connector		567-301A	Y
17.4	Piezo Ignitor		291-513	Y
17.5	Valve Bracket		2019-107	
17.6	Valve NG		230-0710	Y
	Valve LP		230-0720	Y
17.7	Flex Ball Valve Assembly		302-320A	Y