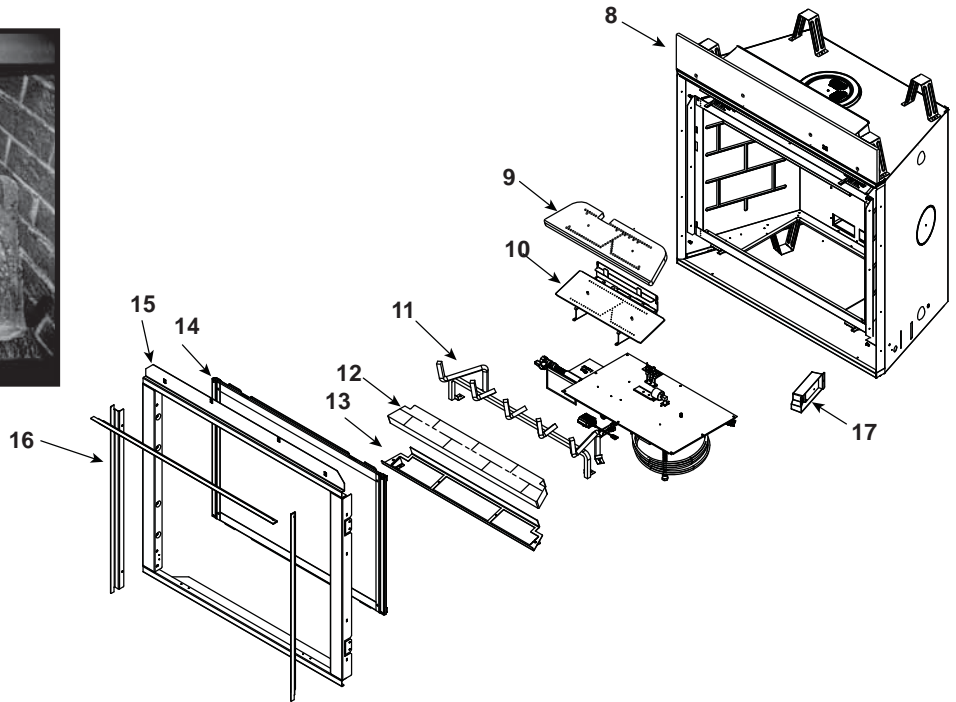


Log Set Assembly



IMPORTANT: THIS IS DATED INFORMATION. When requesting service or replacement parts for your appliance please provide model number and serial number. All parts listed in this manual may be ordered from an authorized dealer.



Stocked at Depot

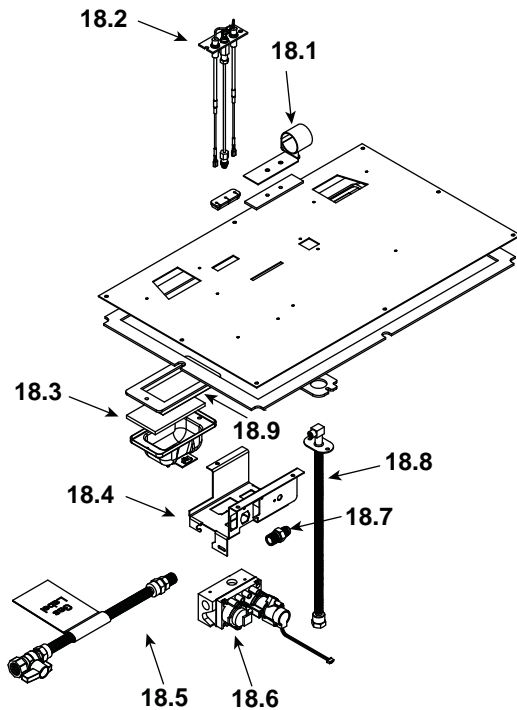
ITEM	DESCRIPTION	COMMENTS	PART NUMBER	
	Log Assembly		LOGS-6CL	Y
1	Log #1		SRV2164-701	
2	Log #2		SRV2164-702	
3	Log #3		SRV2164-703	
4	Log #4		SRV2164-704	
5	Log #5		SRV2164-705	
6	Log #6		SRV2164-706	
7	Log #7		SRV2165-707	
8	Non-combustible board		2166-136	
9	Burner Top		SRV2166-100	Y
10	Burner Assembly NG		2165-007	Y
	Burner Assembly LP		2165-008	Y
11	Grate Assembly		2166-104	
12	Refractory Base	Tan	SRV6BASE-TAN	
		Stratford	SRV6BASE-STRAT	
13	Base Refractory Basket		2166-108	
14	Glass Assembly		GLA-6GLX	Y
15	Surround		2166-019	
16	Finishing Strips (Sold as set only)		SRVFS-6	
17	Junction box		4021-013	Y

Additional service part numbers on following page.

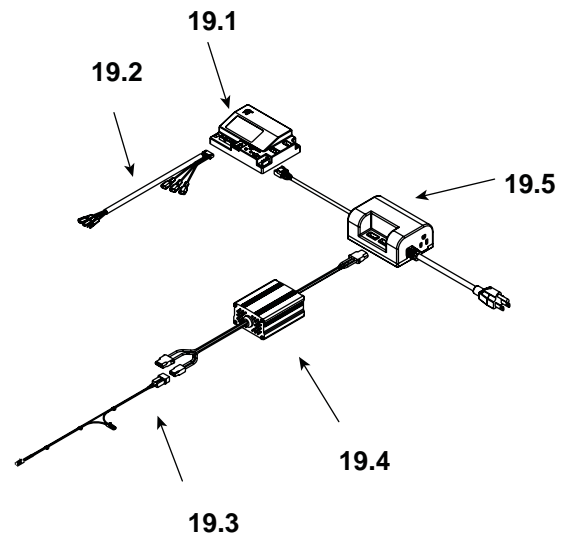
No one builds a better fire

Beginning Manufacturing Date: Aug 2009
Ending Manufacturing Date: Active

#18 Valve Assembly



#19 Control Assembly



IMPORTANT: THIS IS DATED INFORMATION. When requesting service or replacement parts for your appliance please provide model number and serial number. All parts listed in this manual may be ordered from an authorized dealer.



Stocked at Depot

ITEM	DESCRIPTION	COMMENTS	PART NUMBER	Stocked at Depot
18.1	Shutter Bracket Assembly		2166-157	Y
18.2	Pilot Assembly, NG		2166-370	Y
	Pilot Assembly, LP		2166-371	Y
	Pilot Tube		SRV485-301	Y
18.3	Glass, 1/4 "	Qty 2 req	2166-163	Y
18.4	Valve Bracket		2118-104	
18.5	Flex Ball Valve Assembly		302-320A	Y
18.6	Valve, NG		2166-302	Y
	Valve, LP		2166-303	Y
18.7	Male Connector	Pkg of 5	303-315/5	Y
18.8	Bulkhead W/Flex Tube		2166-119	Y
18.9	Kapton Lens	Qty 2 req	2166-171	Y
19	Control Assembly			
19.1	Module		2166-307	Y
19.2	Wire Harness		2166-304	Y
19.3	Wire Harness 2 Gang		2165-190	Y
19.4	LED Controller		2166-336	Y
19.5	RC300 AUX		2166-335	Y

Additional service part numbers on following page.

